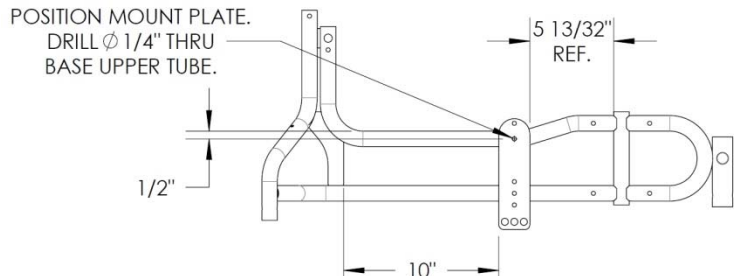



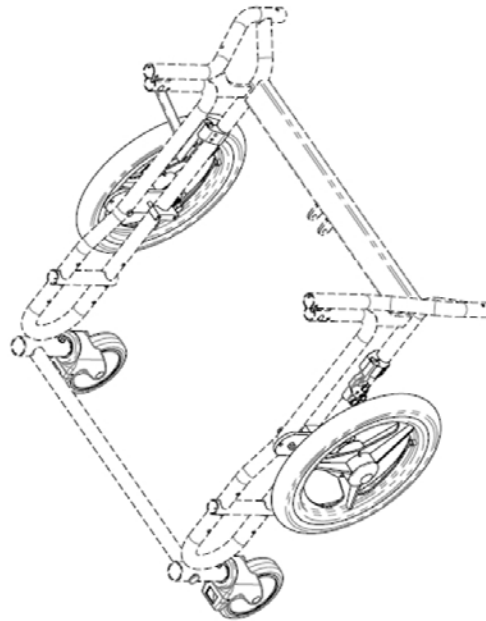
**Parts Required:** See Bill of Materials on drawing X12020

**Tools Used:**  
 5mm Allen Key  
 7/16" Wrench  
 5/8" Wrench  
 Large Mallet  
 Flathead Screwdriver  
 Power drill with 1/4" drill bit



**Technical Difficulty:**  EASY EXPERT

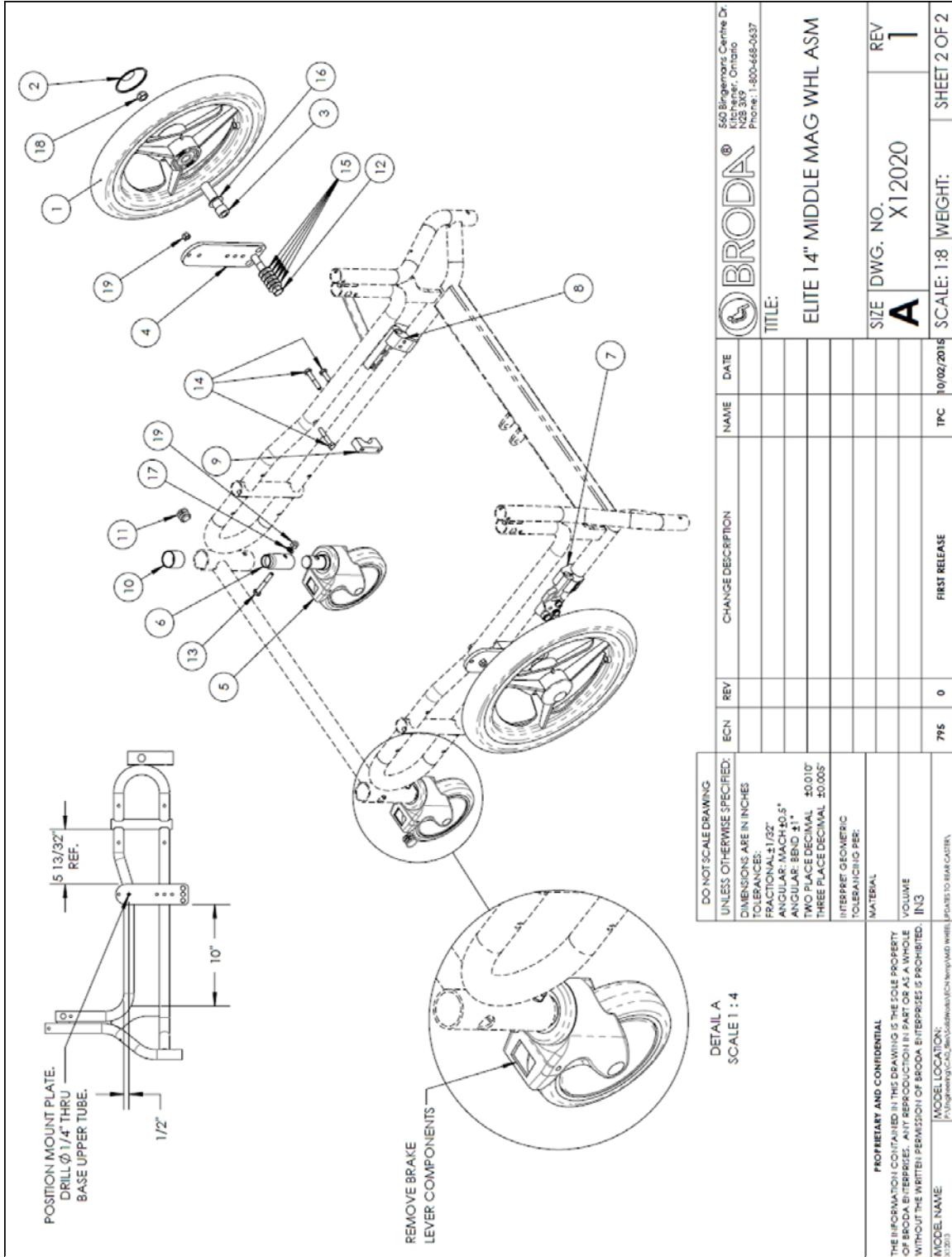
Step	Execution	Figures
1	Remove the rear wheels (casters or mags) and all associated parts & fasteners.	
2	Set chair on its side. Position the wheel mounting plate as shown and clamp into position. Using the wheel mounting plate as a template, drill a 1/4" hole thru the base upper side rail tube. Repeat on opposite side of base.	
3	Assemble all the parts to the base as shown in drawing X12020.	
4	Test that the mag wheels and components have been installed correctly before use. Ensure the mag wheels roll without obstruction when unlocked. Make sure the wheel locks engage the tire enough to bring the mag wheels to a halt when in the locked mode.	

ITEM	PART NUMBER	DESCRIPTION	QTY
1	430108100	WHE MAG 14", 5/8" AXLE	2
2	430109002	WHE HUB CAP 14" MAG	2
3	200709101	FRM MOUNT SLEEVE FOR MAG WHE	2
4	200705009	FRM 14" MIDDLE WHL MNT 785V2/V3	2
5	SEE TABLE	WHE CASTER 5" RIGID BRAKE/BLK	2
6	200108006	FRM BASE MID WHEEL CASTR SLEVE	2
7	500500501	Kit Wheel Lock Right	1
8	500500502	Kit Wheel Lock Left	1
9	200001303	FRM CLAMP BLOCK FOR 1" TB 1/4-2	2
10	410003075	GLIDE M250 ID 1" OD 1-1/8" L 1"	2
11	410003010	PLUG RND 3/4" X 16-18GA SINGLE GLIDE, BLACK	2
12	411161000	SCREW, 7/16-20 X 3 1/2 HEX CAP	2
13	411132000	SCREW 1/4-20 X 1-3/4 HEX CAP, ZINC	2
14	411131000	SCREW 1/4-20 X 1-1/2 HEX CAP, ZINC	6
15	413161000	WASHER 7/16 SAE FLAT WASHER, ZINC	10
16	413001001	WASHER 5/8" ID X 1" OD X .065" FLT	2
17	413131000	WASHER 1/4" SPLIT LOCK, ZINC	2
18	410162000	NUT, 7/16" NYLOCK HEX JAM	2
19	410132001	NUT 1/4-20 NYLON INSERT LOCKNUT, ZINC	4



<b>WHE CASTER 5" RIGID BRAKE/BLK</b>	
SIZE	PART #
GREY	430109000
BLACK	430108001

DO NOT SCALE DRAWING UNLESS OTHERWISE SPECIFIED: DIMENSIONS ARE IN INCHES TOLERANCES: FRACTIONAL: ±1/32" ANGULAR: MACH ±0.5° ANGULAR: BEND ±1° TWO PLACE DECIMAL ±0.010" THREE PLACE DECIMAL ±0.005" INTERPRET GEOMETRIC TOLERANCING PER: MATERIAL VOLUME IN3		ECN	REV	CHANGE DESCRIPTION	NAME	DATE	 540 Bingham Circle Dr Kitchener, Ontario N2B 3K9 Phone: 1-800-468-0437	
<b>PROPRIETARY AND CONFIDENTIAL</b> THE INFORMATION CONTAINED IN THIS DRAWING IS THE SOLE PROPERTY OF BRODA ENTERPRISES. ANY REPRODUCTION IN PART OR AS A WHOLE WITHOUT THE WRITTEN PERMISSION OF BRODA ENTERPRISES IS PROHIBITED. MODEL NAME: X1200 MODEL LOCATION: P:\Engineering\CAD\Bicycles\Bikes\Bike\WHL\WHL ASM		817	1	PLATE MOVED BACK 2". RIGID CASTER ADDED	TPC	01/18/2016	 <b>A</b> X12020 TITLE: ELITE 14" MIDDLE MAG WHL ASM	
MODEL NAME: X1200 MODEL LOCATION: P:\Engineering\CAD\Bicycles\Bikes\Bike\WHL\WHL ASM		795	0	FIRST RELEASE	TPC	10/02/2015	SIZE DWG. NO. X12020 REV 1 SCALE: 1:10 WEIGHT: SHEET 1 OF 2	



ECN	REV	CHANGE DESCRIPTION	NAME	DATE
795	0	FIRST RELEASE	TPC	10/02/2015

DO NOT SCALE DRAWING UNLESS OTHERWISE SPECIFIED. DIMENSIONS ARE IN INCHES FRACTIONAL: 1/32" ANGULAR: MACH $\pm 0.5^\circ$ TWO PLACE DECIMAL $\pm 0.010"$ THREE PLACE DECIMAL $\pm 0.005$ TOLERANCES PER:	<b>BRODA®</b> 550 Birminghams Centre Dr. Kitchener, Ontario N2B 3K9 Phone: 1-800-668-0637
MATERIAL:	TITLE: <b>ELITE 14" MIDDLE MAG WHL ASM</b>
VOLUME IN3	SIZE DWG. NO. <b>A X12020</b>
MODEL LOCATION: P:\Engineering\CAD\Bicycles\Bikes\ELITE\New\WHL\WHL.PRT	REV <b>1</b>
PROPRIETARY AND CONFIDENTIAL THE INFORMATION CONTAINED IN THIS DRAWING IS THE SOLE PROPERTY OF BRODA ENTERPRISES. ANY REPRODUCTION IN PART OR AS A WHOLE WITHOUT THE WRITTEN PERMISSION OF BRODA ENTERPRISES IS PROHIBITED. © 2015	SCALE: 1:8 WEIGHT: SHEET 2 OF 2

For more information, please contact Broda Customer Care at 1-800-668-0637